

Drop-In Drop-in refrigerated well, static (4 GN container capacity)

ITEM # _____

MODEL # _____

NAME # _____

SIS # _____

AIA # _____


341038 (D10C4)

 Drop-in refrigerated well,
 static (4 GN container
 capacity)

Short Form Specification

Item No. _____

Designed to be positioned in flush installation providing improved cleanability and suitable for modern design installations. Designed to serve the food in gastronorm containers with a maximum height of 200mm. Food introduced at the correct temperature maintains its core temperature according to Afnor Standards. Automatic defrosting guarantees evaporators clearance and efficient well cooling. Digital control with temperature display with precise adjustment (0,1°C). Fully compliant HACCP digital controls include visible alarms. Wells in 304 AISI stainless steel with rounded corners to facilitate cleaning operations. The well is also equipped with a drain hole. High-density expanded polyurethane foam with cyclopentane guarantees excellent well insulation to reduce energy dispersion. R290 refrigerant gas (GWP=3) to reduce environmental impact and increase cooling efficiency. The bottom is equipped with copper tubes to ensure proper cooling, with this system the air touches the cold surface and gets cooled.

Main Features

- CB and CE certified by a third party notified body.
- Designed to be positioned in flush installation providing improved cleanability and suitable for modern design installations.
- Designed to serve the food in gastronorm containers.
- Suitable for GN 1/1 containers with a maximum height of 200 mm.
- Precise temperature control and setting at 0,1°C .
- As standard the product comes with digitally controlled thermostat which is in line of HACCP norms and provides visual alarm as a warning of the increasing or decreasing temperatures.
- Available drop-in dimensions: 1, 2, 3, 4, 5, 6 GN.
- Food introduced at the correct temperature maintains its core temperature according to Afnor Standards.
- Automatic defrosting guarantees evaporators clearance and efficient well cooling.
- Remote version is available.

Construction

- Well bottom is inclined to facilitate water drainage.
- Well in 304 AISI stainless steel with rounded corners to facilitate cleaning operations. The well is also equipped with a drain hole.
- Electronic control with temperature display.
- IPx2 water protection.
- The bottom is equipped with copper tubes to ensure proper cooling, with this system the air touches the cold surface and gets cooled.

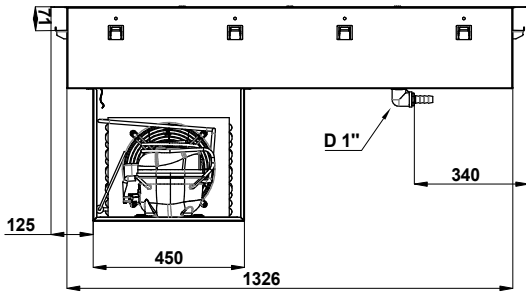
Sustainability



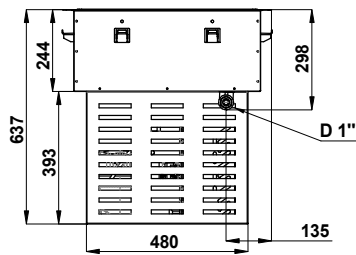
- Hydrocarbon refrigerant gas R290 for the lowest environmental impact (GWP=3) - CFC and HCFC free.
- High-density expanded polyurethane foam with cyclopentane guarantees excellent well insulation to reduce energy dispersion.

APPROVAL: _____

Front

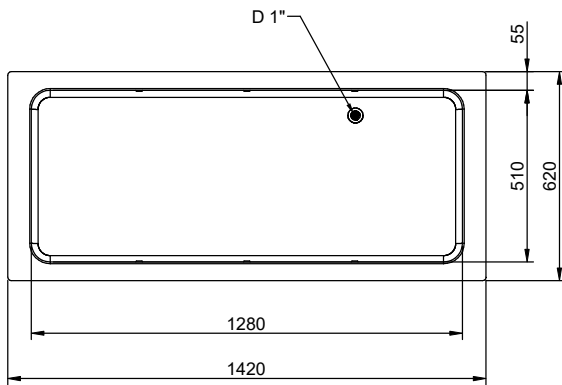


Side



D = Drain
EI = Electrical inlet (power)

Top





Electric

Supply voltage:
341038 (D10C4) 220-240 V/1N ph/50 Hz
Electrical power max.: 0.54 kW

Water:

Water drain outlet size: 1"

Key Information:

External dimensions,
Width: 1420 mm
External dimensions,
Depth: 620 mm
External dimensions,
Height: 595 mm
Net weight: 55.9 kg
Shipping weight: 87 kg
Shipping height: 870 mm
Shipping width: 670 mm
Shipping depth: 1460 mm
Shipping volume: 0.85 m³
Set temperature: -15 / 0 °C

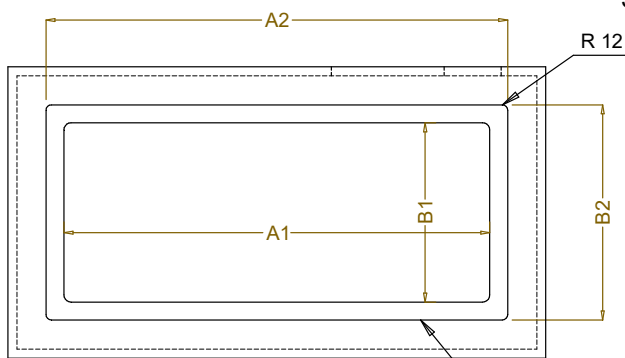
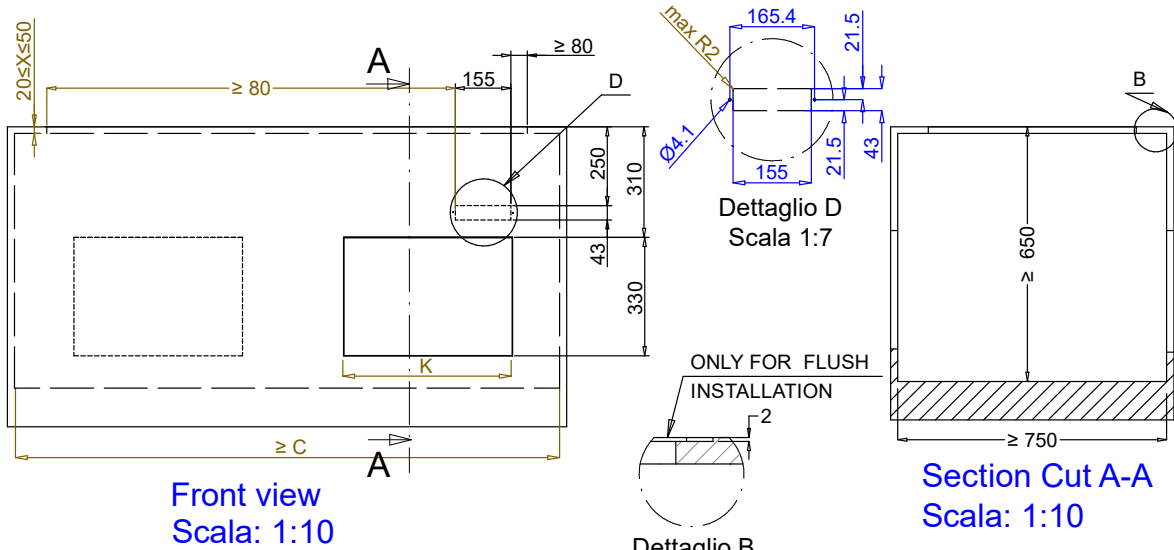
Refrigeration Data

Refrigerant type: R290

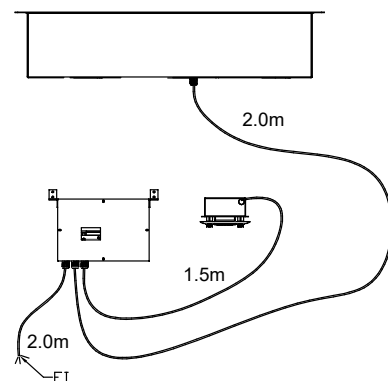
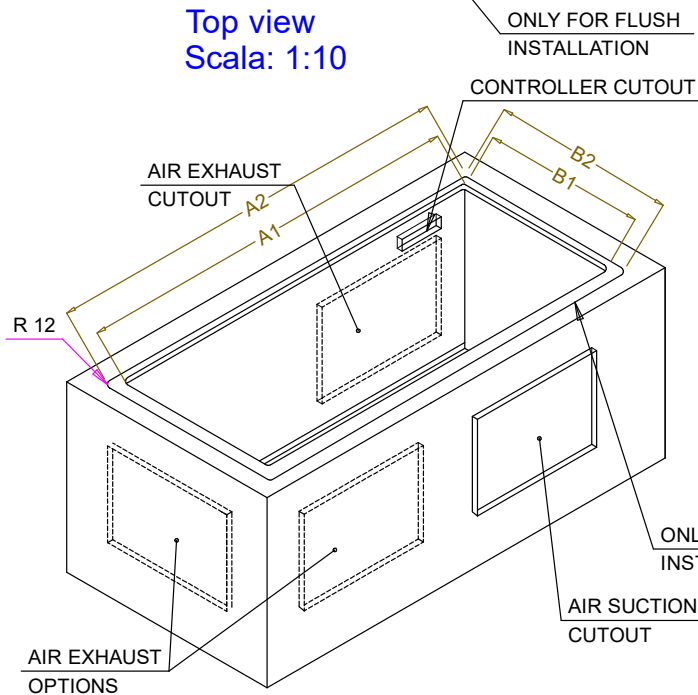
Sustainability

Noise level: 56 dBA





| CAPACITY | CUTOUT | | LOWERING FOR FLUSH INSTALLATION | | C | K |
|----------|--------|------|---------------------------------|-----|------|-----|
| | A1 | B1 | A2 | B2 | | |
| 1GN | 380 | 580 | 454 | 624 | 560 | 380 |
| 2GN | 700 | | 774 | | 880 | |
| 3GN | 1030 | | 1104 | | 1200 | |
| 4GN | 1350 | 1424 | 1530 | 470 | 1850 | |
| 5GN | 1670 | 1744 | 2180 | | | |
| 6GN | 2000 | 2074 | 2180 | | | |



595T01S00 - COLD STATIC WELL